

Art. CHVQDRZ101

Pressed stainless steel spanner for art. C1-C2-C3.



Art. CHVQDRZ102

Pressed stainless steel spanner art. C4-C5.



Art. GLLBRZ1201

Bronze plated wing nut M12 for art. B18-B20-D12-D31.



Art. VLT1207004

Nylon hand-wheel diam.70 with brass bearing M12 black for art. D5-D7-D8-D9-D10-D11-D14-D17-D18-D19-D20-D22.



Art. VLT129001S

Stainless steel hand-wheel diam.90 with brass bearing M12 for art. D15-D19.



Art. VLT12RZ101L

Hand-wheel with one stainless steel spoke M12 for art. D4



Art. VLT1609004

Nylon hand-wheel diam.90 with brass bearing M16 for art. D2-D3-D26.



Art. VLT1609003S

Stainless steel hand-wheel diam.90 M16 for art. D2-D3-D13.



Art. VLT1809003

Nylon hand-wheel diam.90 with brass bearing for art. A9-A10-A14-B16-D4.



Art. VLT1809002L

Stainless steel hand-wheel diam.90 with brass bearing M18x1.5 for art. A19-A23



Art. VLT181001L

Stainless steel hand-wheel dima.100 with brass bearing M18x1.5



Art. VLT1810003

Bronze plated hand-wheel diam.100 M18x1.5.



Art. VLT1816004

Nylon hand-wheel diam.160 with brass bearing art. A3-A5-A6-A78-A8-A13-B1-B2.



Art. VLT18RZ202L

Stainless steel hand-wheel with two poker, brass bearing M18x1.5
ECONOMIC VERSION.



Art. VLT18RZ205L

Stainless steel hand-wheel with two poker M18 for art. D1.



Art. VLT22RZ201L

Stainless steel hand-wheel with two spokes, brass bearing M22
for art. A1-A2-A17-A18.



Art. VLT22RZ201S

Stainless steel hand-wheel with two poker M22 for art. A15-
A16-A26.



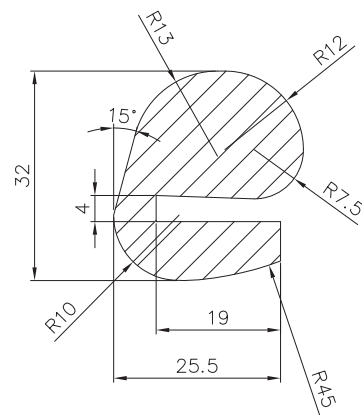
Art. VLT27RZ201L

Stainless steel hand-wheel with two poker M27 for art. A11-A12.



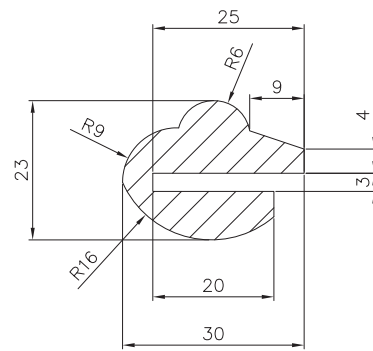
Art. A1

Profile gasket for art. A1.



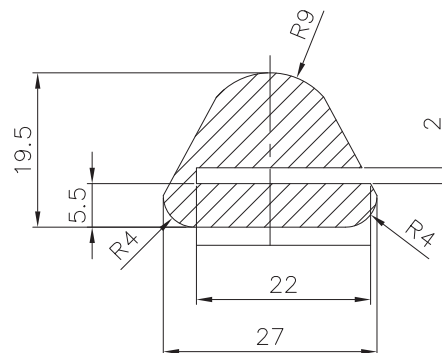
Art. A2-A4-A17-A18 A26-A27

Profile gasket for art. A2-A4-A17-A18-A26-A27.



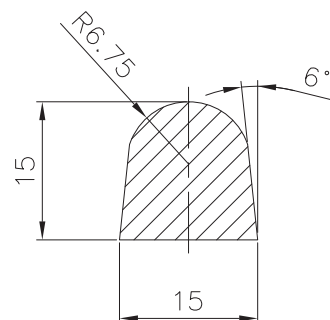
Art. A3-A5

Profile gasket for art. A3-A5.



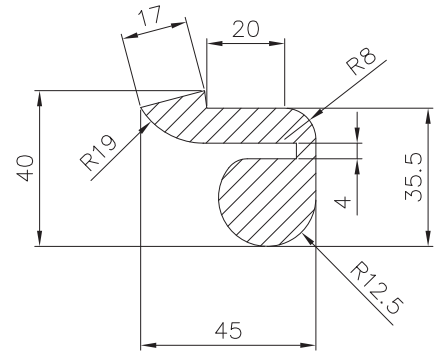
Art. A6-A7-A8-A9-A10 A13-A14-A20-A24

Profile gasket for art. A6-A7-A8-A9-A10-A13-A14-A20-A24.



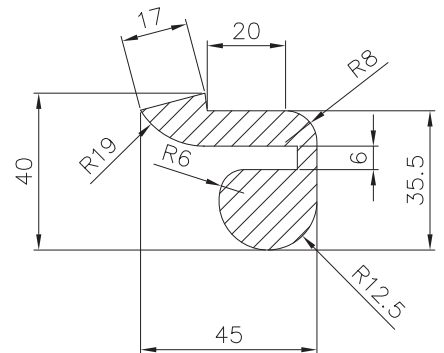
Art. A11-A12

Profile gasket for art. A11-A12 4 mm



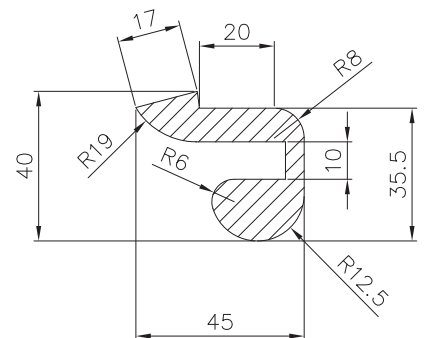
Art. A11-A12

Profile gasket for art. A11-A12 6 mm



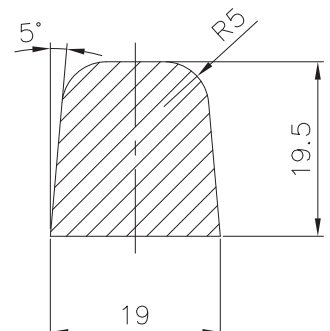
Art. A11-A12

Profile gasket for art. A11-A12 10 mm



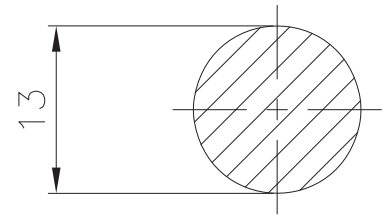
Art. A15-A16-A21-A31

Profile gasket for art. A15-A16-A21-A31



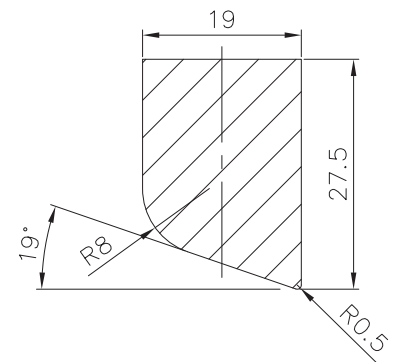
Art. A19-A22-A23

Profile gasket for art. A19-A22-A23



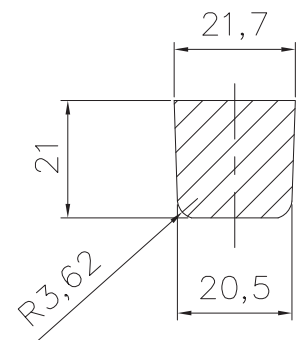
Art. A25

Profile gasket for art. A25



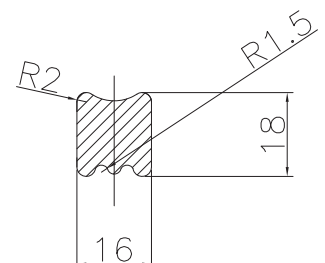
Art. A29

Profile gasket for art. A29



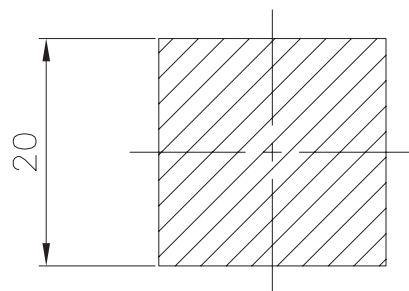
Art. A30

Profile gasket for art. A30



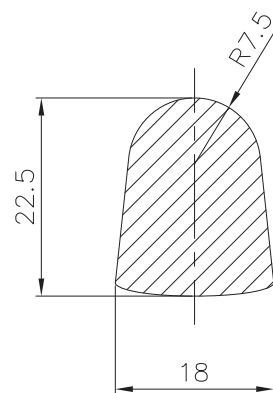
Art. B1

Profile gasket for art. B1



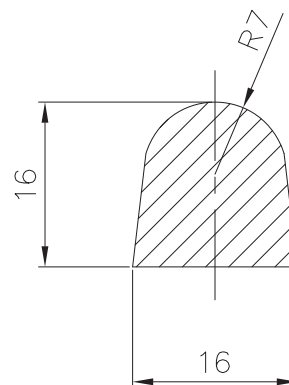
Art. B2-B6-B11-B12 B15-B18-B23-B24

Profile gasket for art. B2-B6-B8-B11-B12-B15-B18-B23-B24



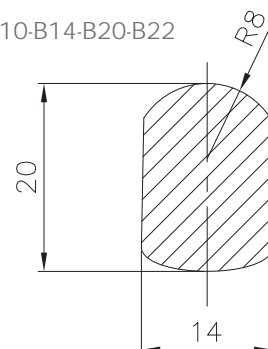
Art. B3-B13-B16

Profile gasket for art. B3-B13-B16



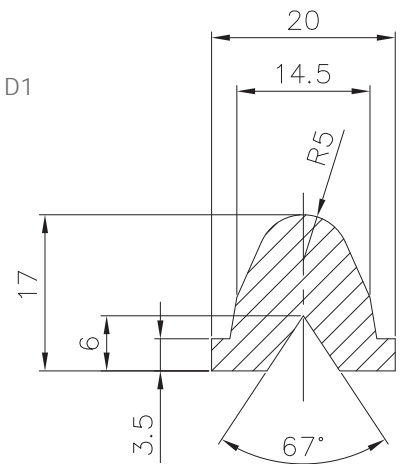
Art. B4-B5-B7-B10-B14 B20-B22

Profile gasket for art. B4-B5-B7-B10-B14-B20-B22



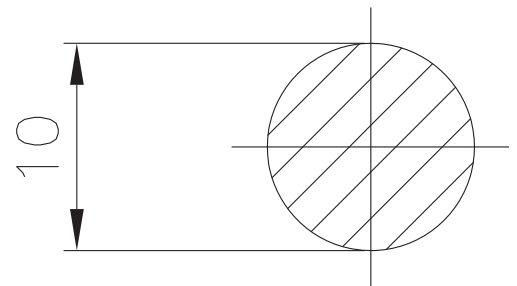
Art. D1

Profile gasket for art. D1



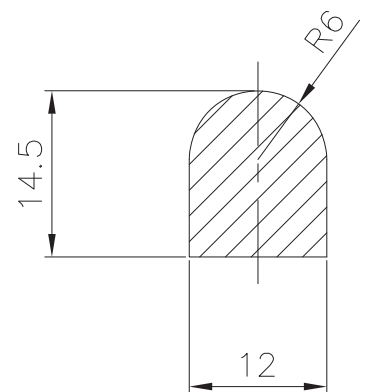
Art. D2-D3-D13-D26-A28

Profile gasket for art. D2-D3-D13-D26-A28



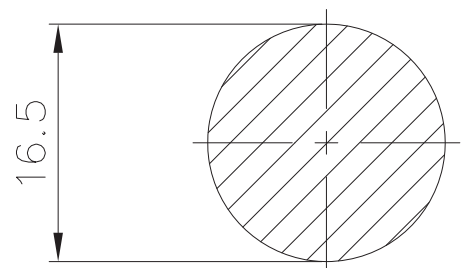
Art. D9-D12

Profile gasket for art. D9-D12 Ø 150



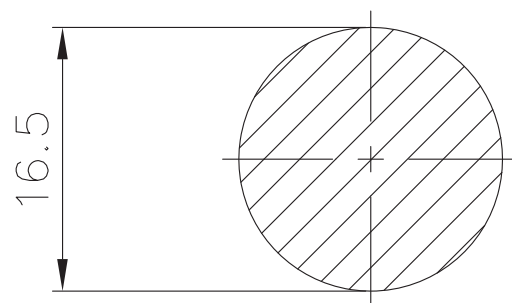
Art. D10-D11-D12

Profile gasket for art. D9-D12 Ø 200



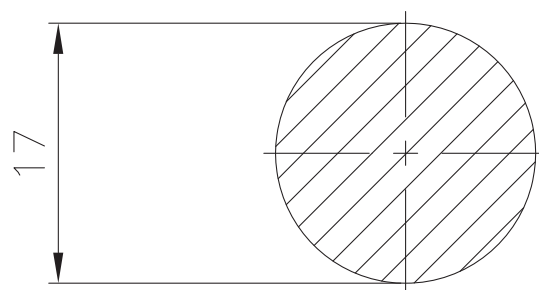
Art. D9-D12

Profile gasket for art. D9-D12 \varnothing 250



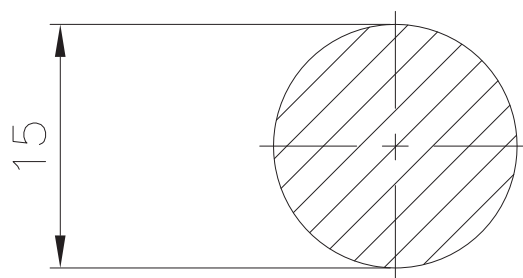
Art. C3-C5-D9-D12

Profile gasket for art. C3-C5-D9-D12 \varnothing 300



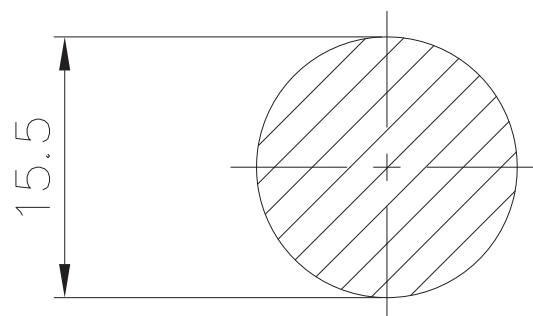
Art. C3-D9-D12

Profile gasket for art. C3-D9-D12 \varnothing 360



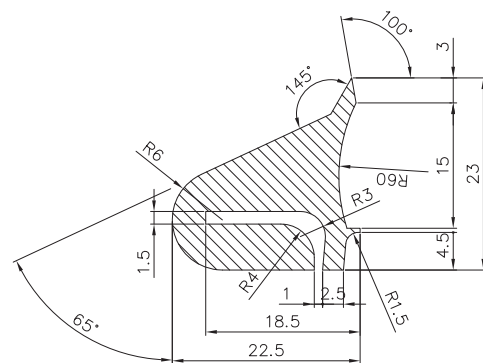
Art. D7-D9-D12

Profile gasket for art. D7-D9-D12 \varnothing 385



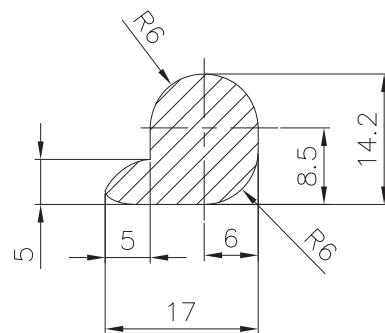
Art. D8-D14-D15-D17 D18-D19-D20-D22-D23

Profile gasket for art. D8-D14-D15-D17-D18-D19-D20-D22-D23
ASEPTIC



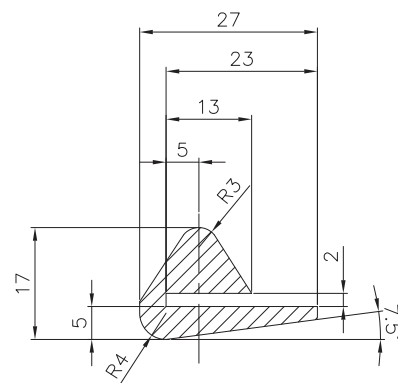
Art. C2-C3

Profile gasket for art. C2-C3 Ø 420



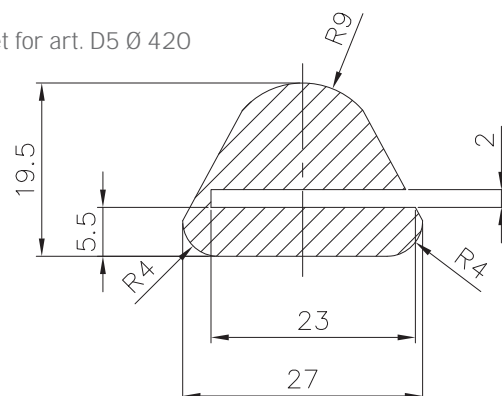
Art. D8-D15-D17-D19 D20-D20-D22-D23

Profile gasket for art. D8-D15-D17-D19-D20-D20-D22-D23



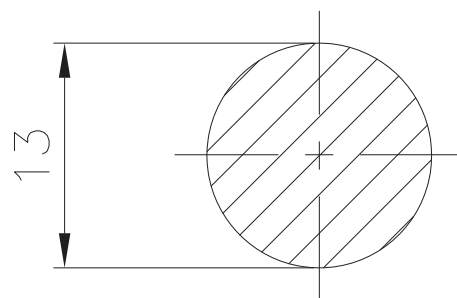
Art. D5

Profile gasket for art. D5 Ø 420



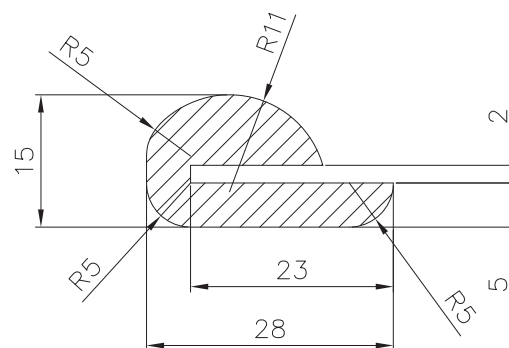
Art. C1-C4-C5-D4-D6 D7-D9-D12

Profile gasket for art. C1-C4-C5-D4-D6-D7-D9-D12 Ø 420



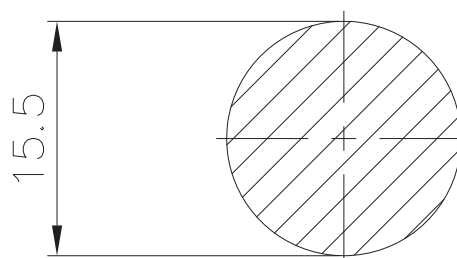
Art. D5

Profile gasket for art. D5 Ø 460



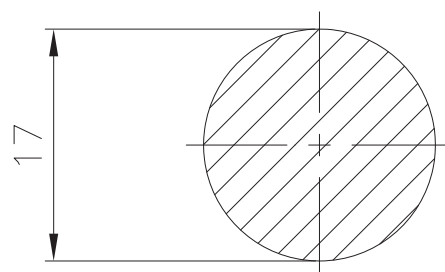
Art. D6-D7-D9-D12

Profile gasket for art. D6-D7-D9-D12 Ø 460



Art. D6-D7-D9-D12

Profile gasket for art. D6-D7-D9-D12 Ø 500



Art. D6-D7-D9-D12

Profile gasket for art. D6-D7-D9-D12 Ø 600

