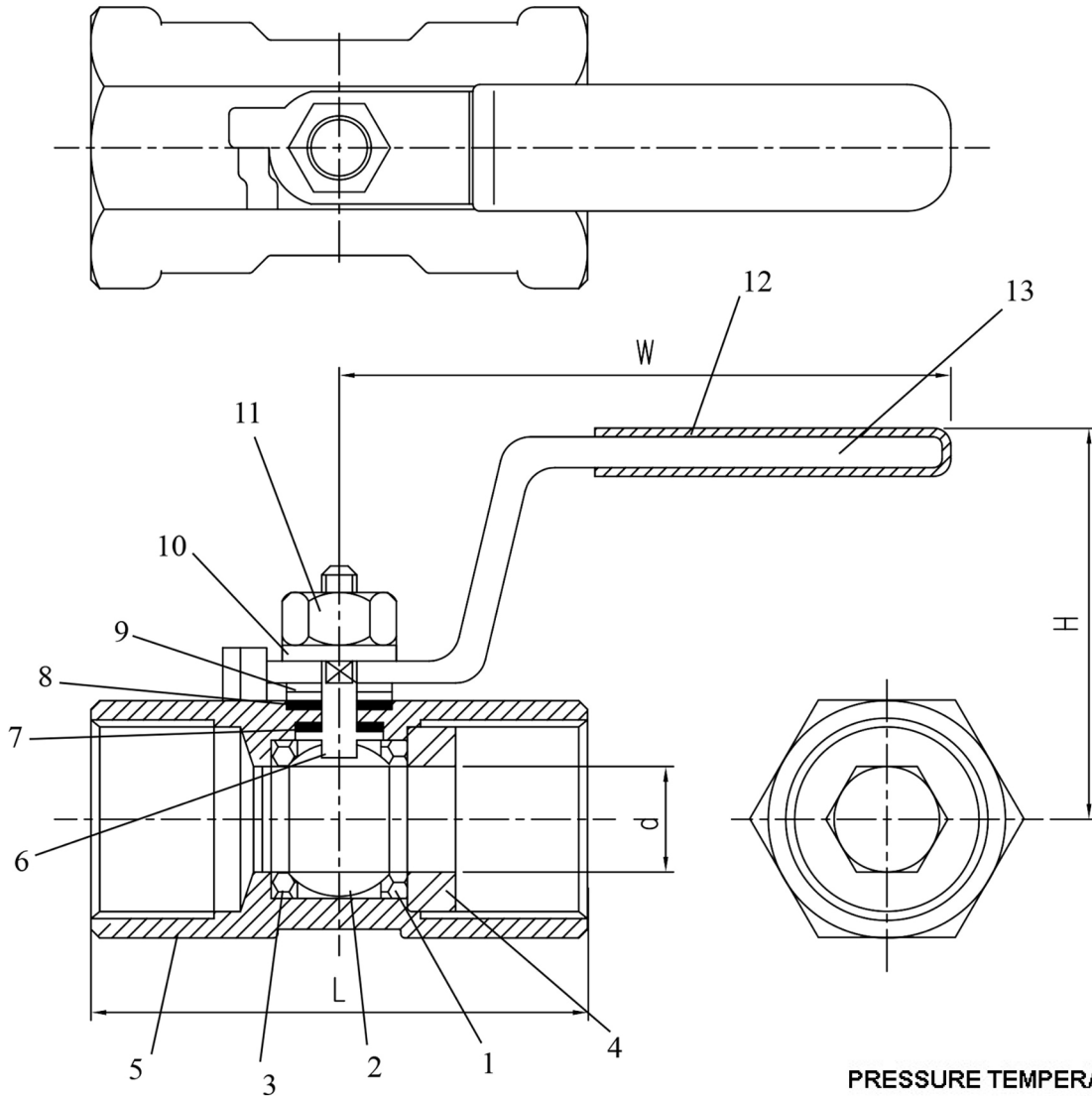
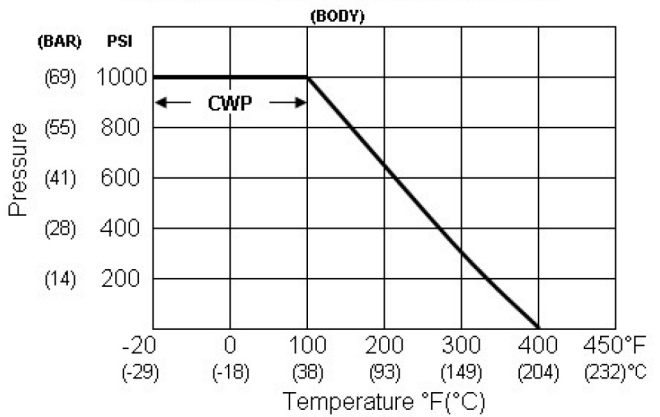


1 Pce Reduced Bore Ball Valve BSP 316



No	PART	MATERIAL	QTY
1	SEAT	PTFE	2
2	BALL	SS316	1
3	JOINT GASKET	15% R-PTFE	1
4	CAP	SS316	1
5	BODY	SS316/CF8M	1
6	STEM	SS316	1
7	THRUST WASHER	15% R-PTFE	1
8	STEM PACKING	15% R-PTFE	1
9	GLAND NUT	SS304	1
10	STEM WASHER	SS304	1
11	STEM NUT	SS304	1
12	HANDLE COVE	PLASTIC	1
13	HANDLE	SS304	1

PRESSURE TEMPERATURE RATINGS



Size: 1/4"-2"
 Reduced bore
 Threaded ends: ISO 228/1 BSPP
 Internal entry blow-out proof stem
 Material: CF8M 316
 Pressure rating 1000PSI(WOG)
 Pressure test: API 598
 Lever handle

SIZE BSPP	PART No	D	L	H	W	CV FACTOR	Kg
1/4	RBV04	5	40	33	67	1.4	0.06
3/8	RBV06	7	45	36	67	1.4	0.1
1/2	RBV08	9	58	37	93	1.4	0.16
3/4	RBV12	12.5	60	42	93	2	0.26
1	RBV16	16	71	52	103	4.1	0.38
1 1/4	RBV20	20	78	56	103	6.1	0.61
1 1/2	RBV24	25	82.5	65	125	8.1	0.85
2	RBV32	32	100	70	125	9.5	1.4