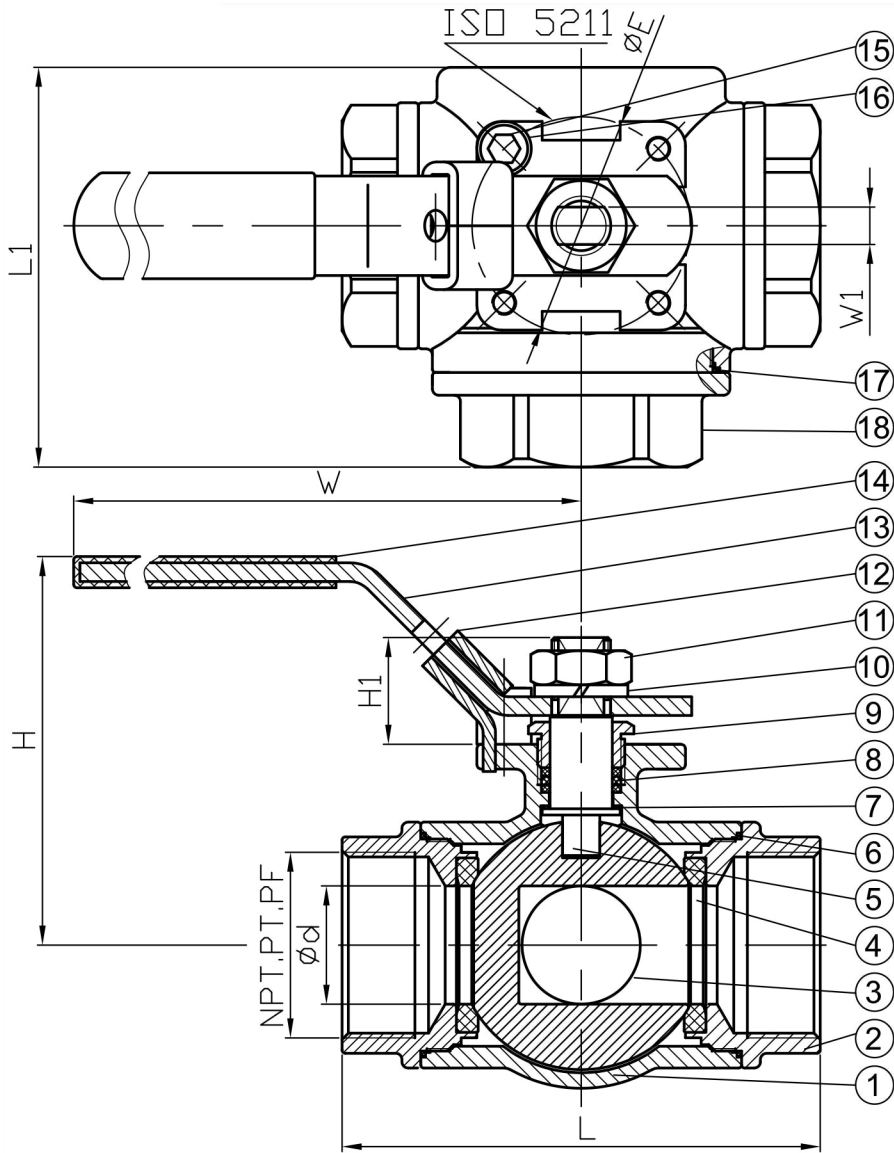
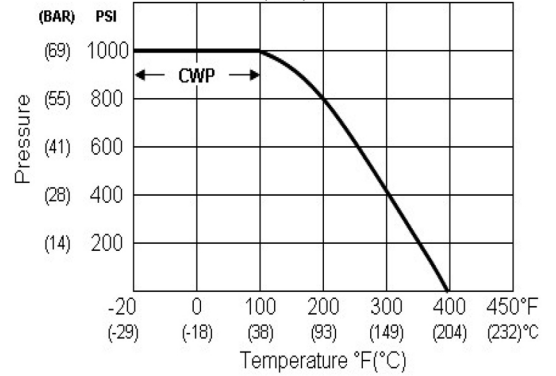


Stainless Steel 3 - Way Reduced Bore Ball Valve threaded BSP



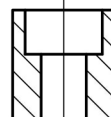
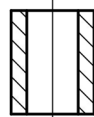
PRESSURE TEMPERATURE RATINGS
(BODY)



NO.	PART NAME	MATERIAL
1	BODY	CF8M 316
2	CAP-B	CF8M 316
3	BALL	CF8M 316
4	SEAT	PTFE
5	STEM	SUS316
6	GASKET-B	PTFE
7	THRUST WASHER	PTFE
8	PACKING	PTFE
9	GLAND	SUS304
10	SPRING WASHER	SUS304
11	STEM NUT	SUS304
12	LOCKING DEVICE	SUS304
13	HANDLE	SUS304
14	PLASTIC COVER	PLASTIC
15	BOLT	SUS304
16	STOP PIN	SUS304
17	GASKET-A	PTFE
18	CAP-A	CF8M

FEATURES:

- PIPE THREAD IN ACCORDANCE: **ISO228/1 BSPP**
- BLOW-OUT PROOF STEM / REDUCE PORT
- INVESTMENT CASTING BODY
- WITH ISO 5211 MOUNTING PAD
- 1000PSI(PN63)W.O.G.
- LOCKING DEVICE
- THERE ARE FOUR SEATS
- L-PORT OR T-PORT AVAILABLE / 360°PAD
- MATERIAL: **CF8M 316**



**1/4"-11/4" 11/2"-2"
STOP PIN TYPE**

FLOW PATTERN:

PORT TYPE	1	2	3	4
L	1 ⊕ 2 3	1 ⊕ 2 3	1 ⊕ 2 3	1 ⊕ 2 3
T	1 ⊕ 2 3	1 ⊕ 2 3	1 ⊕ 2 3	1 ⊕ 2 3

SIZE BSPP	PART No L PORT	PART No T PORT	d	L	L1	H	W	ISO 5211	E	H1	W1	Ma	Kg
1/4	RBVL04	RBVT04	11.6	76	58.5	67	153	F04	42	18	8	M5	0.82
3/8	RBVL06	RBVT06	12.5	76	58.5	67	153	F04	42	18	8	M5	0.78
1/2	RBVL08	RBVT08	12.5	76	58.5	67	153	F04	42	18	8	M5	0.74
3/4	RBVL12	RBVT12	16	86	72	77	153	F04	42	20	8	M5	1.18
1	RBVL16	RBVT16	20	99	81.5	83	183	F05	50	23	9.5	M6	1.70
1 1/4	RBVL20	RBVT20	25	117	94.5	88	183	F05	50	23	9.5	M6	2.82
1 1/2	RBVL24	RBVT24	32	124	104	116	246	F07	70	34	12	M8	3.96
2	RBVL32	RBVT32	38	148	125	124	246	F07	70	34	12	M8	6.78