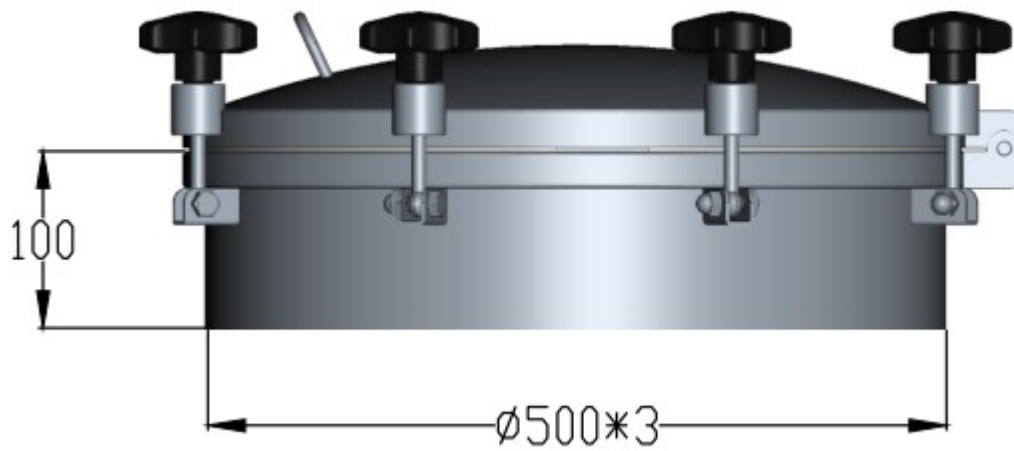


Round Manway 2-5 Bar



Features

- 500mm \varnothing Round Manway
- Plastic handwheels
- Pressure Rating: 2-5 Bar
- EPDM Seal
- Inner surface: Ra0.8um-0.5um
- Material: SS316/ 1.4408 EN 10213-4
- Outer surface: Polished

